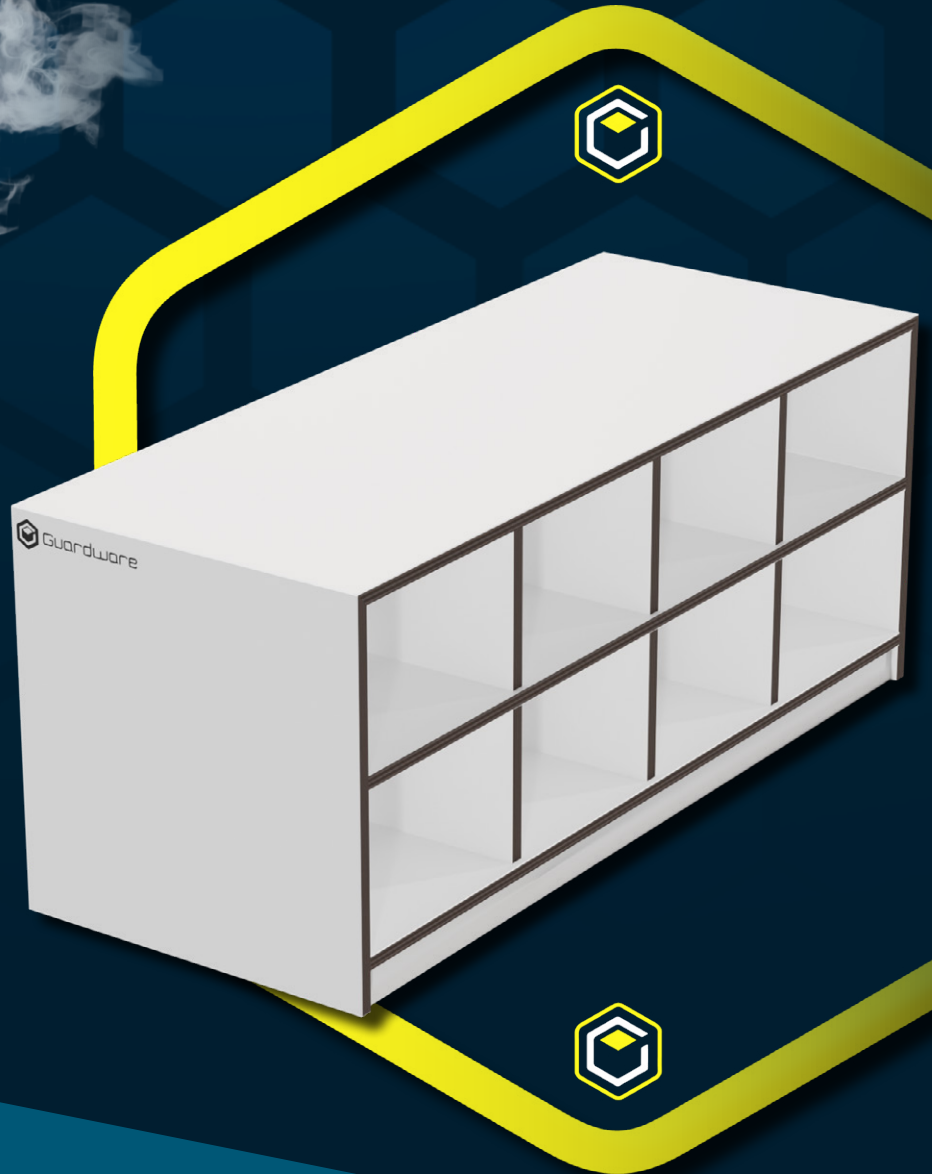




Guardware
cleanroom hardware

ISOstep

Stepover Benches Data Sheets



☎ 0330 113 0303

✉ sales@guardtech.com

🌐 www.guard-ware.com

Ensure optimal contamination control with ISOstep Max – Guardware’s premium stepover bench solution. Fully constructed of either Sealwise Waterproof Construction Board or Trespa, the two ISOstep Max options offer superior hygiene, durability and ease of maintenance.

Perfect for Pharmaceutical, Biotechnology, Micro-electronics and Healthcare cleanrooms where rigorous hygiene and compliance with ISO and GMP standards are required, ISOstep Max is constructed from medical-grade components.

The bench is non-porous, anti-microbial and highly resistant to moisture, chemicals, and impact – ensuring long-lasting performance and uncompromised cleanliness. Smooth, sealed surfaces prevent the harbouring of bacteria or particles, making cleaning fast and thorough.



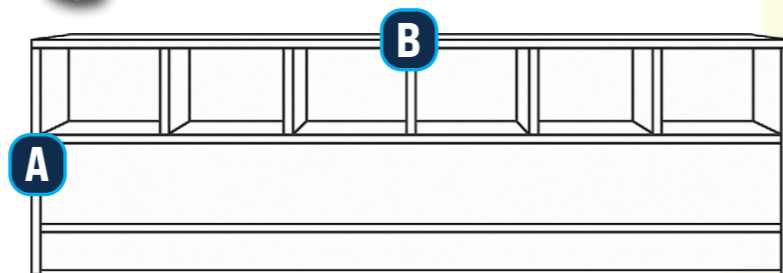
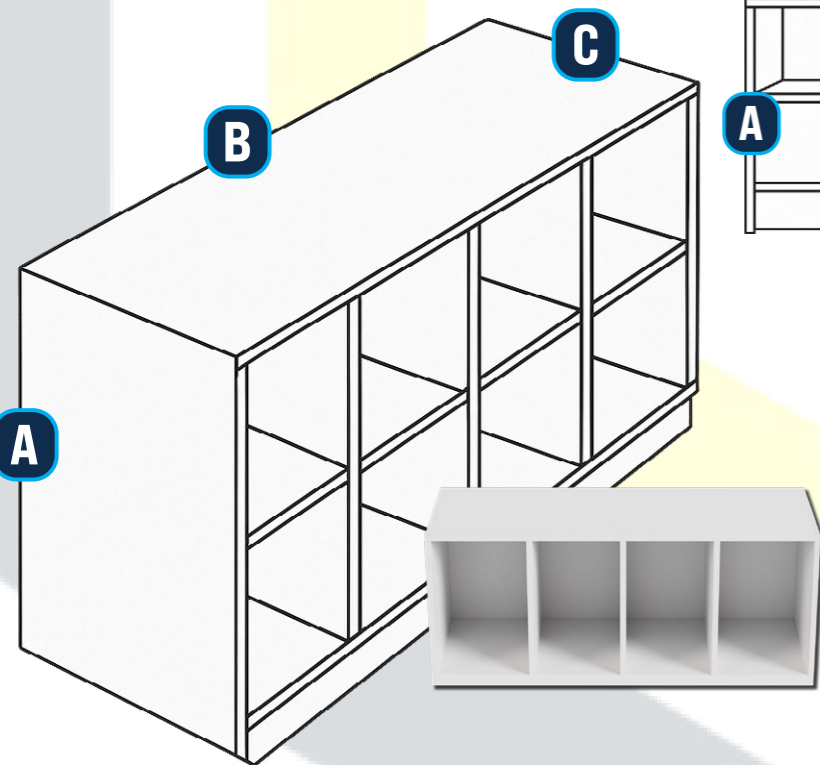
- The range’s elite bench
- Superior resistance to chemicals
- Trespa or Sealwise construction
- Ideal for GMP

Standard Product Options

- Open front & back
- Open front – closed back
- 50/50 – open top front / open bottom rear
- Dual shelf – no compartments
- 8, 10, 12, 16, 18, 20 or 22-compartment configurations available

Did you know?
Sealwise is comparable to Trespa for quality and performance plus it’s significantly lighter in terms of weight!

TECHNICAL DRAWINGS



STANDARD ISOSTEP MAX SIZES IN mm

A	B	C
400	1000	400
400	1250	400
400	1500	400
400	1750	400
400	2000	400
400	2250	400
400	2500	400
400	2750	400

Need something more bespoke? Tell us your requirements and we’ll work together to find a solution!



ISOSTEP MAX FEATURES

- Ultra-hygienic construction – both Sealwise and Trespa options are non-porous and sealed for total cleanliness
- Chemical-resistant – effortless to clean, even in high-sterility zones
- Smart separation – ISOstep Max physically enforces gowning procedures between ‘dirty’ and ‘clean’ zones
- Customisable fit – standard sizes to suit typical layouts but bespoke arrangements also available



Maintain the highest standards of cleanliness and contamination control with ISOstep Pro – a grade 316 stainless steel cleanroom stepover bench.

Designed specifically for GMP and ISO classified environments, this robust bench facilitates safe personnel entry by providing a physical barrier between clean and unclean areas. Crafted from corrosion-resistant grade 316 stainless steel, ISOstep Pro is ideal for environments where chemical resistance and hygiene are critical.

ISOstep Pro provides a comfortable, stable seating surface for changing footwear or garments, supporting controlled transitions between zones.

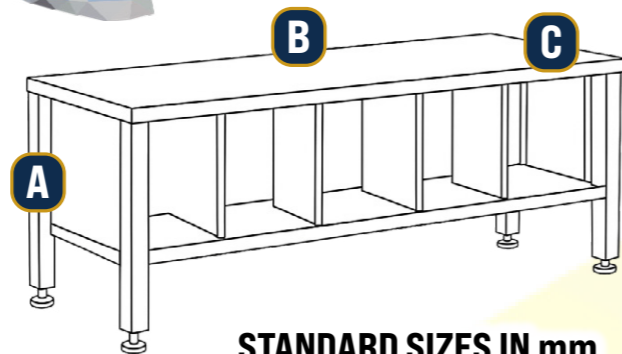
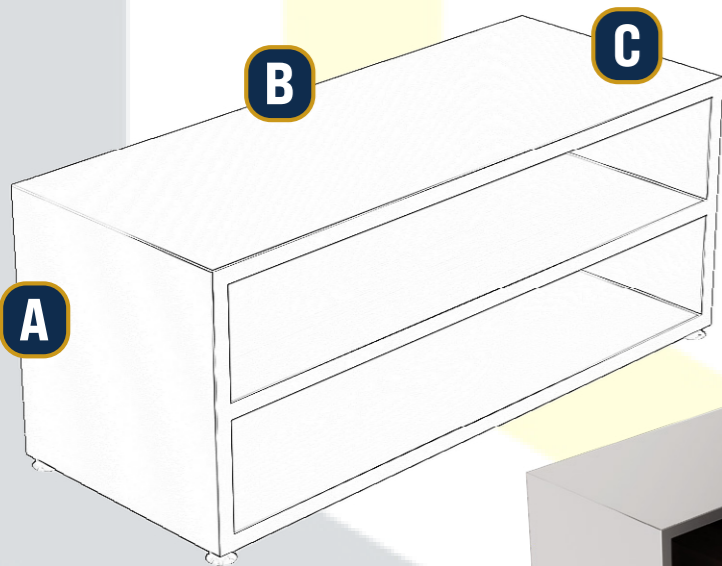


- Elite 316 stainless steel stepover bench
- Easy to clean
- High quality construction
- Variety of PPE storage options available

Standard Product Options

Open front & back
Open front - closed back
50/50 - open top front / open bottom rear
Dual shelf - no compartments
8, 10, 12, 16, 18, 20 or 22 compartment configurations available
Electropolished

TECHNICAL DRAWINGS



STANDARD SIZES IN mm

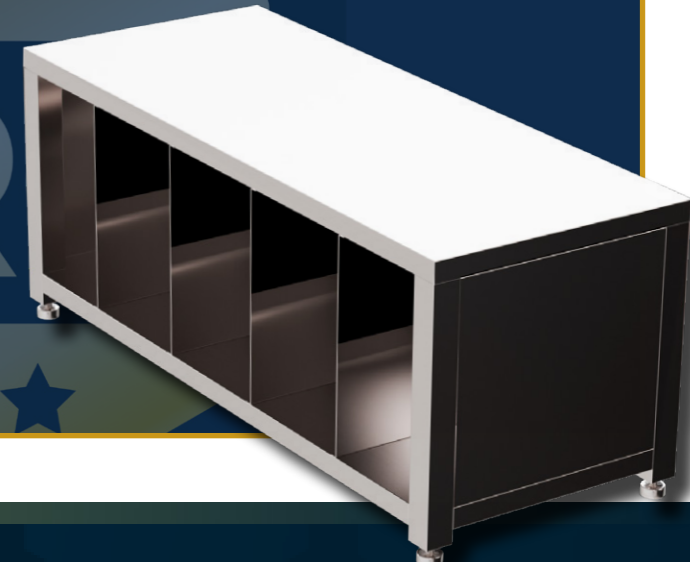
A	B	C
400	1000	400
400	1250	400
400	1500	400
400	1750	400
400	2000	400
400	2250	400
400	2500	400
400	2750	400

Need something more bespoke? Tell us your requirements and we'll work together to find a solution!



ISOSTEP PRO FEATURES

- Enhance functionality with optional open or enclosed under-bench compartments for PPE, shoes, or cleaning supplies
- Smooth, crevice-free construction easy cleaning and disinfection, reducing contamination risks
- Smart separation – ISOstep Pro physically enforces gowning procedures between 'dirty' and 'clean' zones
- Customisable fit – standard sizes to suit typical layouts but bespoke arrangements also available



Create a safer, cleaner transition zone in your facility with ISOstep Plus – a grade 304 stainless steel stepover bench. Designed for environments where hygiene and durability are essential, this bench offers a practical and budget-conscious option for controlling cleanroom or production area entry points.

Manufactured from grade 304 stainless steel, ISOstep Plus offers excellent corrosion resistance and strength for ISO 14644 classified cleanrooms. While grade 304 stainless steel provides reliable performance in many controlled environments, it is important to note that it has lower resistance to chlorides and harsh chemicals compared to grade 316.

For facilities exposed to aggressive cleaning agents or where the highest levels of corrosion resistance are non-negotiable, ISOstep Pro or Max may be a more suitable option.



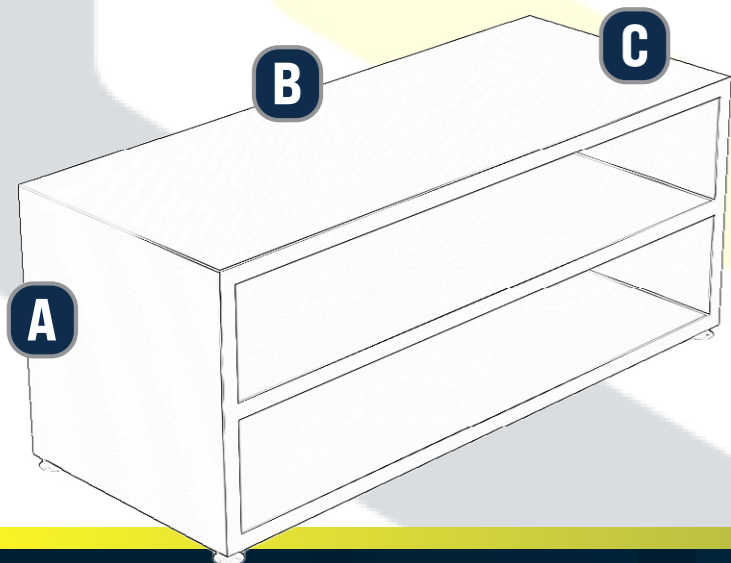
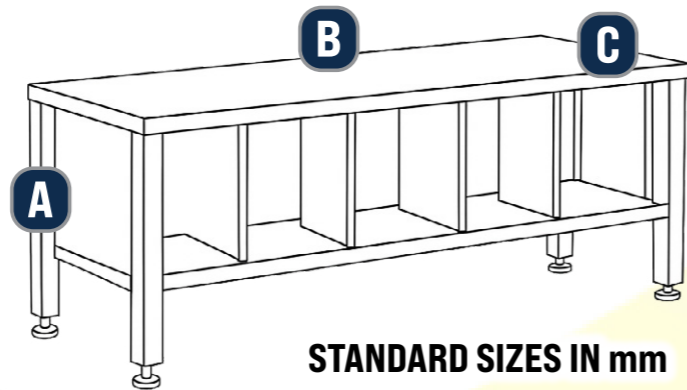
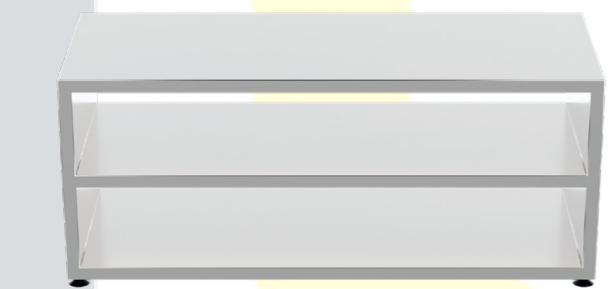
- Durable grade 304 stainless steel bench
- Easy to clean
- High quality construction
- Variety of PPE storage options available

Standard Product Options

Open front & back
Open front - closed back
50/50 - open top front / open bottom rear
Dual shelf - no compartments
8, 10, 12, 16, 18, 20 or 22 compartment configurations available



TECHNICAL DRAWINGS



STANDARD SIZES IN mm

A	B	C
400	1000	400
400	1250	400
400	1500	400
400	1750	400
400	2000	400
400	2500	400
400	2000	400
400	2500	400

Need something more bespoke? Tell us your requirements and we'll work together to find a solution!



ISOSTEP PLUS FEATURES

- Enhance functionality with optional open or enclosed under-bench compartments for PPE, shoes, or cleaning supplies
- Smooth, crevice-free construction easy cleaning and disinfection, reducing contamination risks
- Smart separation – ISOstep Plus physically enforces gowning procedures between 'dirty' and 'clean' zones
- Customisable fit – standard sizes to suit typical layouts but bespoke arrangements also available



ISOstep Lite is Guardware's entry-level, cost-effective stepover bench solution – a powder-coated mild steel frame-only option with either a Trespa or Sealwise top surface, expertly designed for cleanroom and controlled environment applications where cross-contamination control is paramount.

This simple and effective, yet robust and hygienic, high-performance stepover bench provides a safe transition area between different clean zones while ensuring long-term durability and easy maintenance.

ISOstep Lite is the most cost-effective option in the range – as a result, it doesn't feature the option for storage of PPE and other cleanroom accessories in the same advanced way that the Plus, Pro and Max alternatives can offer.



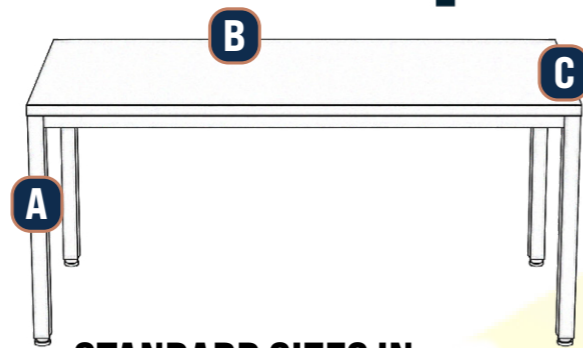
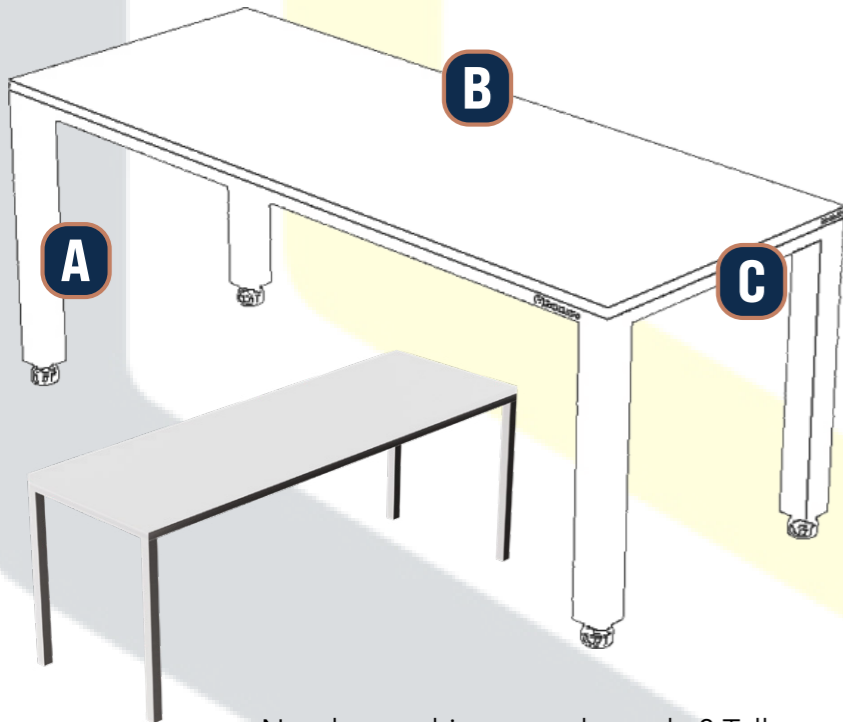
- Frame-only mild steel stepover bench
- Cost effective
- High performance Trespa and Sealwise top surfaces
- Doesn't include option for storage

Standard Product Options

Grade 430 steel option



TECHNICAL DRAWINGS



STANDARD SIZES IN mm

A	B	C
400	1000	400
400	1250	400
400	1500	400
400	1750	400
400	2000	400
400	2250	400
400	2500	400
400	2750	400



Did you know?
Sealwise is comparable to Trespa for quality and performance plus it's significantly lighter in terms of weight!

ISOSTEP LITE FEATURES

- Simple yet robust construction means it's a much lighter option the other stepovers in the range
- Smooth, crevice-free construction easy cleaning and disinfection, reducing contamination risks
- Smart separation – ISOstep Lite physically enforces gowning procedures between 'dirty' and 'clean' zones
- Customisable fit – standard sizes to suit typical layouts but bespoke arrangements also available

Need something more bespoke? Tell us your requirements and we'll work together to find a solution!

The Guardware customer journey is all about consultation and collaboration. We're here to support and empower you – to help you tailor your order so that it meets all the requirements necessary to elevate your operations.

This philosophy applies to each and every product in the entire range – which is why each and every customer has the option to open up a supportive dialogue with a member of the Guardware team.

We've curated standard product ranges for each item in the ISO family in order to help streamline your customer experience.

But we're also ready to help deliver solutions that are 'outside the box' – just tell us what your bespoke requirements are, and we'll work with you to develop a product that ticks all the right boxes.

To get you started, here's a simple Ordering Guide to help you tailor your perfect ISOstep cleanroom stepover bench.



STEP THREE

Choose your ISOstep Compartment Structure

Frame Only

Dual Shelf

Open Front & Back

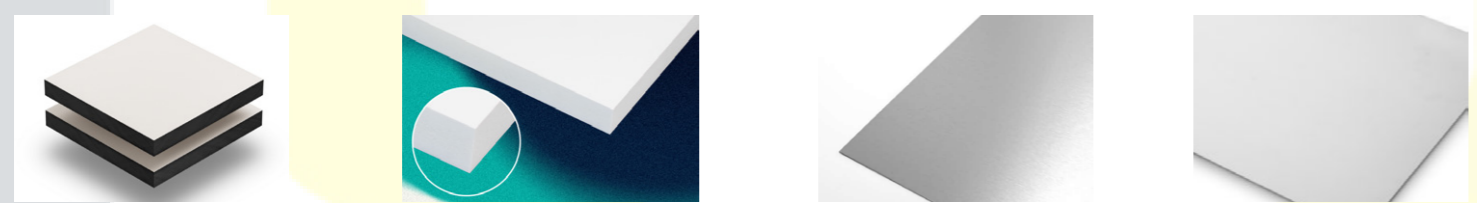
Open Front & Closed Back

50/50 – open top front & open bottom rear

COMPARTMENTS REQUIRED?
If YES – how many?
 8, 10, 12, 16, 18, 20 or 22

STEP ONE

Choose your base materials: Trespa, Sealwise, Stainless or Mild Steel



STEP TWO

Choose your stability: Flat Base, Levelling Feet or Castors?



STEP FOUR

Choose your ISOstep sizing: height, length and width

HEIGHT OPTIONS	LENGTH OPTIONS	WIDTH OPTIONS
400	1000	400
400	1250	400
400	1500	400
400	1750	400
400	2000	400
400	2250	400
400	2500	400
400	2750	400

STEP FIVE

Place your order!

- Head over to www.guard-ware.co.uk and submit your Basket enquiry for a specially tailored quote!
- Email sales@guardtech.com to begin your journey with a Guardware rep
- Call the team directly on **0330 113 0303**

"I want a Trespa bench on castors that's open at the front and back, has 10 compartments and is 2000mm long"



Guardware

cleanroom hardware



☎ 0330 113 0303

✉ sales@guardtech.com

🌐 www.guard-ware.com