

ISOWASH

Cleanroom Handwash Sinks Data Sheets



Engineered for environments where hygiene and contamination control are critical, the ISOwash Max entry control hand sanitiser station is the ultimate solution for managing personnel entry into cleanroom and controlled environments.

This fully automated, stainless steel hand sanitiser system ensures compliance, enhances safety and streamlines workflow – delivering elite sanitisation performance with a minimal footprint.

Ideal for GMP-regulated and ISO-classified cleanroom facilities, the unit promotes strict hand hygiene protocols at critical control points. Infrared sensors activate the sanitiser dispense system automatically, eliminating cross-contamination. The units are durable, corrosion-resistant and easy to clean – perfect for sterile, high-humidity and chemically sensitive environments.



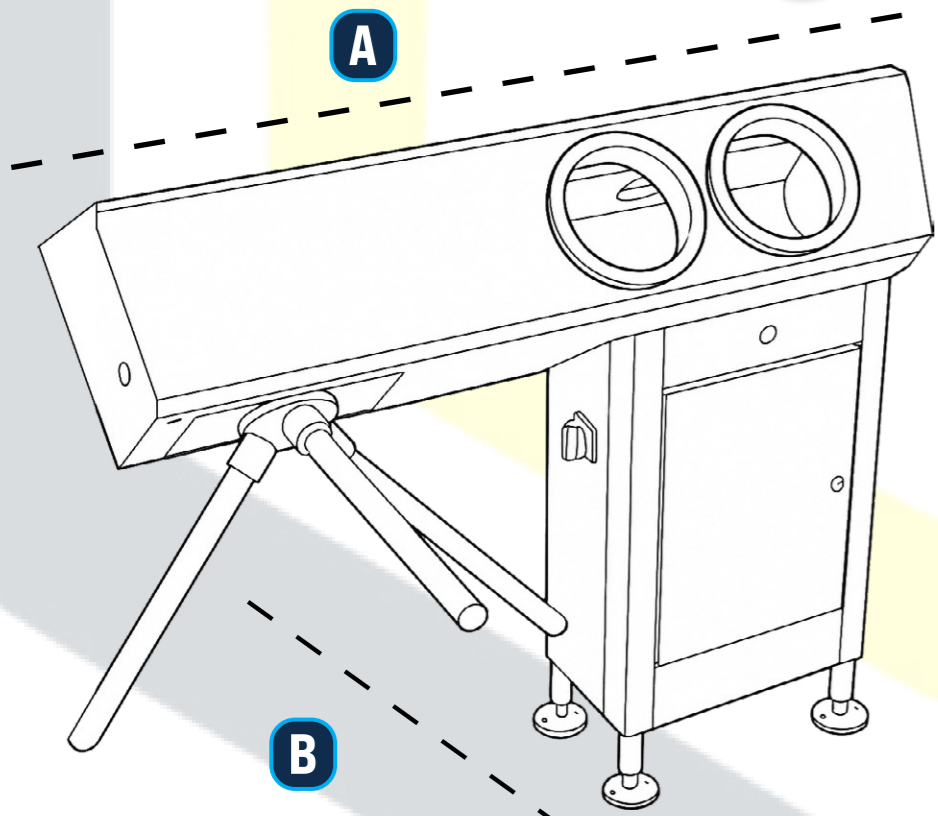
- Elite high-tech hand sanitising station solution
- Automated hand washing
- Adjustable sanitisation times
- Grade 304 stainless steel construction

Standard Product Options

- Disinfectant entry control hand sanitiser
- Soap entry control hand sanitiser



TECHNICAL DRAWINGS



ISOwash MAX

C

STANDARD ISOWASH MAX SIZE IN mm

A	B	C
1460	900	1115

Need something more bespoke? Tell us your requirements and we'll work together to find a solution!

ISOWASH MAX FEATURES

- Hands-free infrared activation – sensor-based operation for hygienic, touch-free sanitiser dispensing
- 304 grade stainless steel construction – corrosion-resistant, durable, and easy to clean. Ideal for GMP and ISO classified facilities
- Integrated access control option – can be linked to turnstiles or automated door systems to enforce mandatory sanitisation before entry
- High-capacity sanitiser tank – suitable for high-footfall areas, reducing downtime from frequent refills
- Led user guidance indicators – visual signals guide users through sanitising process and system readiness
- Floor-standing or wall-mounted design – flexible installation to fit gowning rooms, airlocks and entry vestibules
- Robust industrial build quality – manufactured for continuous use in demanding hygiene-critical sectors
- Reduces contamination risk at entry points – enforces proper hand sanitisation before personnel enter controlled areas
- Minimises cross-contamination – fully touch-free system prevents surface contact and microbial transfer
- Enhances workflow efficiency – rapid, intuitive operation helps maintain flow through gowning or cleanroom entry areas
- Low maintenance design – durable components and large sanitiser capacity reduce upkeep and service frequency
- Professional design – sleek stainless steel units provide perfect change area aesthetic

The ISOwash Pro handwash sink combines robust hygiene with practical storage in a sleek, stainless steel wash station.

Available in 1, 2, 3 or 4-person configurations, this unit features a Grade 304 or 316 stainless steel basin with optional high or low splashback, housed within a secure cabinet offering lockable doors and internal shelving.

Ideal for cleanroom, lab and healthcare environments where both cleanliness and functionality are critical.

Simply tell us which grade of steel you'd prefer, how many operatives you might need to wash their hands at any one time and which type of storage solution would suit your application and we'll develop the perfect ISOwash Pro solution for your cleanroom.

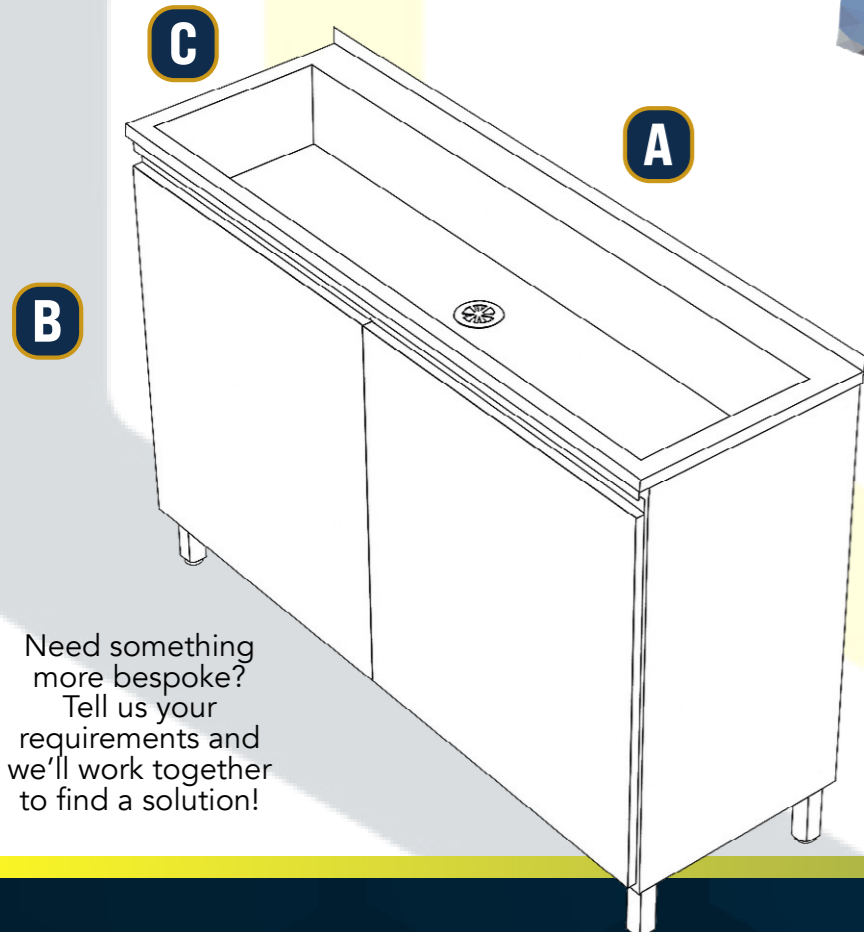


- Grade 316 or 304 stainless steel sink
- Includes built-in cabinet with option to add locks
- Long-lasting, robust design
- Multi-person sinks

Standard Product Options

- High or low splashback
- Shelving options
- Lock option
- Integrated bin option
- 1, 2, 3 or 4-person trough
- Motion sensor taps
- Dyson Airblade taps

TECHNICAL DRAWINGS



Need something more bespoke? Tell us your requirements and we'll work together to find a solution!



STANDARD SIZES IN mm

A	B	C
1200	850	400
1500	850	400
1800	850	400
2100	850	400
2400	850	400

ISOWASH PRO FEATURES

- Smooth stainless steel surfaces prevent microbial growth and are easy to wipe down with disinfectants
- Lockable doors keep essential items (like PPE, sanitising agents, or tools) safe, preventing unauthorised access or tampering
- Ideal for GMP-regulated environments where controlled storage is required
- Internal shelving offers a tidy, efficient way to store cleanroom consumables or hand-washing supplies, reducing clutter. Helps maintain a visually clean, compliant workspace
- Made from grade 304 or 316 stainless steel, the cabinet is resistant to corrosion, chemicals, and moisture – suitable for regular sanitisation
- Long-lasting and robust in high-traffic, high-hygiene zones
- Integrated storage within a wash station or work area saves space and streamlines workflows
- Optional lock and shelving layouts can be tailored to suit your cleanroom processes



Designed for consistent performance in a wide range of cleanroom facilities, this fully shrouded, frame-mounted ISOwash Plus stainless steel basin is available in 1, 2, 3 or 4-person configurations.

Choose from Grade 304 or 316 stainless steel to suit your environment, with options for high or low splashback. The enclosed design delivers a sleek, hygienic finish that's easy to clean and ideal for sterile wash areas.

A shrouded design is ideal for cleanroom applications because it supports strict hygiene and contamination control standards.

If you have additional storage needs, please refer to the ISOwash Pro product upgrade.



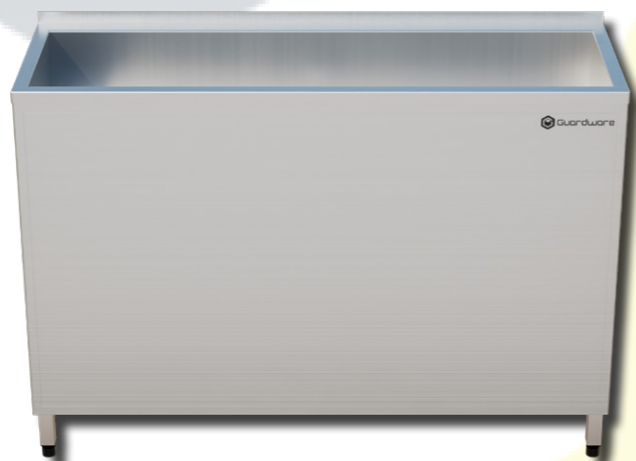
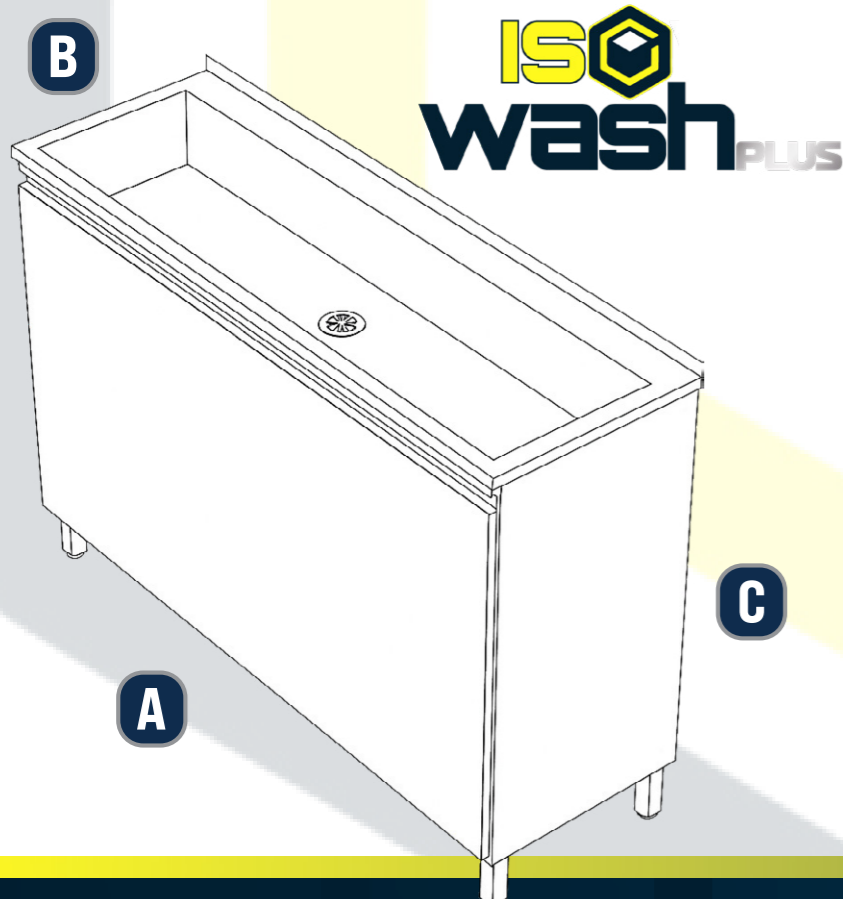
- Shrouded, enclosed sink – plumbing hidden
- Grade 316 or 304 stainless steel
- Robust design
- Easy to clean and maintain

Standard Product Options

Grade 316 or 304 stainless steel
Electropolished option
75mm low splashback
150mm high splashback
Integrated bin
Motion sensor taps
Dyson Airblade taps



TECHNICAL DRAWINGS



Need something more bespoke? Tell us your requirements and we'll work together to find a solution!

STANDARD SIZES IN mm

A	B	C
1200	850	400
1500	850	400
1800	850	400
2100	850	400
2400	850	400

ISOWASH PLUS FEATURES

- The shroud encloses plumbing and structural elements, eliminating hard-to-clean gaps and crevices where dirt, microbes, or particulates could accumulate
- The smooth, continuous surfaces of a shrouded unit are easier to wipe down and disinfect – crucial for maintaining cleanroom compliance
- Plumbing and structural supports are hidden behind the shroud, preventing exposure to airborne particles and making the unit more streamlined and professional in appearance
- Shrouded fixtures support Good Manufacturing Practice (GMP) and ISO cleanroom standards by reducing surface irregularities and contamination traps

turing Practice (GMP) and ISO cleanroom standards by reducing surface irregularities and contamination traps

Crafted from Grade 304 or 316 stainless steel, this cost-effective, wall-mounted basin offers exceptional durability and corrosion resistance – ideal for controlled environments where compliance is key.

Available with high or low splashback options to suit your layout and cleaning protocol, as well as wider multi-operator washtrough configurations, ISOWash Lite features pre-drilled wall fixing holes for quick, secure installation. The wash station's non-porous surface is perfect for a smooth and easy clean as well as reducing microbial growth.

Both grades of stainless are high-strength materials that withstand daily use, impact, and cleaning without warping or cracking. Suitable for high-traffic, high-use environments.



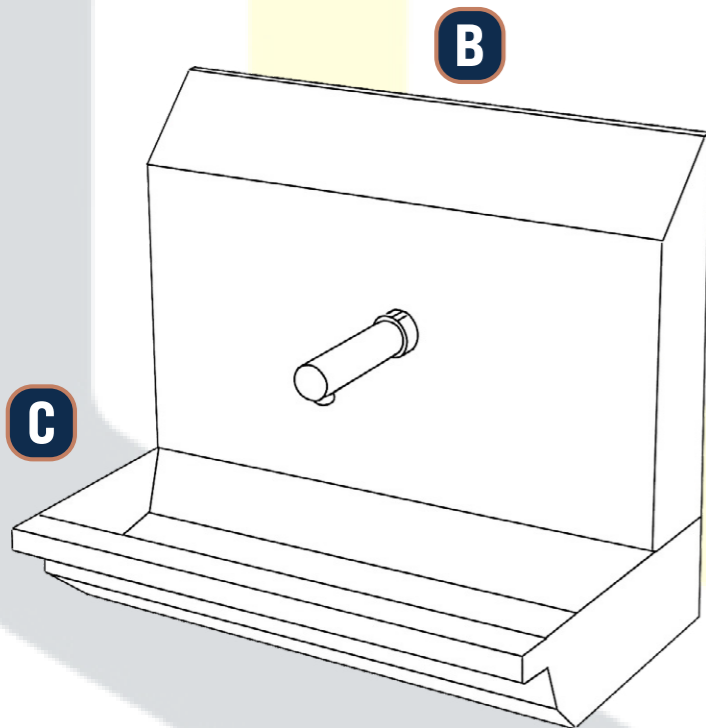
- Cost-effective basin sink
- Wall-mounted washtrough solution
- Grade 316 or 304 stainless steel
- Durable and corrosion resistant

Standard Product Options

Low 75mm splashback
High 150mm splashback
Grade 304 stainless steel
Grade 316 stainless steel
Motion sensor (infrared) taps
Dyson Airblade taps
Knee-operated functionality
Multi-operator washtroughs



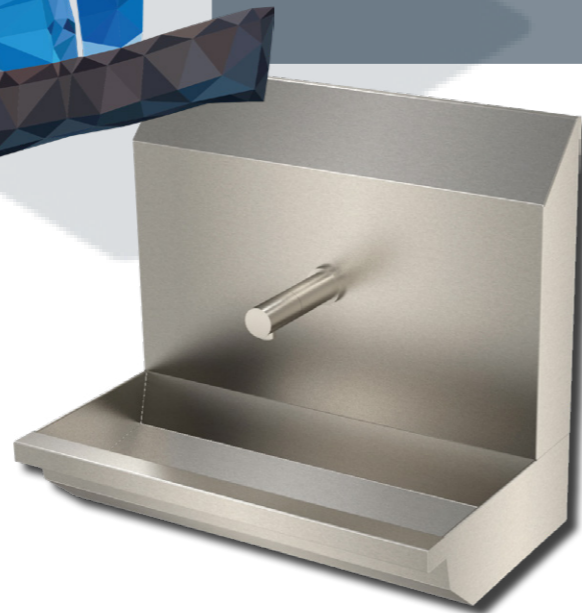
TECHNICAL DRAWINGS



A

B

C



STANDARD SIZES IN mm

A	B	C
540	500	380
540	1000	380
540	1500	380
540	2000	380
540	3000	380
150	1200	400
150	1500	400
150	1800	400
150	2400	400

Need something more bespoke? Tell us your requirements and we'll work together to find a solution!

ISOWASH LITE FEATURES

- Sensor operated, soap dispensers or hand driers available options
- Hygienic and easy to clean
- Grained polished 240 silicone grain or electropolished finish
- Non-porous surface resists bacterial growth
- and is easy to disinfect
- Smooth finish prevents dirt, microbes, and contaminants from accumulating
- Complies with strict cleanliness standards in ISO- and GMP-grade cleanrooms
- Various tap options



Guardware

cleanroom hardware



☎ 0330 113 0303

✉ sales@guardtech.com

🌐 www.guard-ware.com